

# KENWOOD

**KDC-C712**  
**KDC-C662**  
**KDC-C462**

---

COMPACT DISC AUTO CHANGER

## **INSTRUCTION MANUAL**

CHANGEUR AUTOMATIQUE DE DISQUES COMPACTS

## **MODE D'EMPLOI**

CAMBIADOR AUTOMÁTICO DE DISCOS COMPACTOS

## **MANUAL DE INSTRUCCIONES**

CHANGER AUTOMÁTICO DE CDs

## **MANUAL DE INSTRUÇÕES**

KENWOOD CORPORATION



**Take the time to read through this instruction manual.**  
**Familiarity with installation and operation procedures will help you obtain the best performance from your new compact disc auto changer.**

### **For your records**

Record the serial number, found on the back of the unit, in the spaces designated on the warranty card, and in the space provided below.

Refer to the model and serial numbers whenever you call upon your KENWOOD dealer for information or service on the product.

Model KDC-C712/C662/C462 Serial number \_\_\_\_\_

## Warning / Avertissement / Advertencia / Advertência

The marking of products using lasers  
(Except for some areas)

**CLASS 1  
LASER PRODUCT**

The label is attached to the chassis/case and says that the component uses laser beams that have been classified as Class 1. It means that the unit is using laser beams that are of a weaker class. There is no danger of hazardous radiation outside the unit.

Marquage des produits utilisant un laser (Sauf pour certaines régions)

**CLASS 1  
LASER PRODUCT**

L'étiquette est attachée au châssis/boîtier de l'appareil et indique que l'appareil utilise des rayons laser de classe 1. Cela signifie que l'appareil utilise des rayons laser d'une classe faible. Il n'y a pas de danger de radiation accidentelle hors de l'appareil.

La marca del producto láser

**CLASS 1  
LASER PRODUCT**

Esta etiqueta está colocada al chasis/a la caja e indica que el componente funciona con rayos láser de clase 1.

Esto significa que el aparato utiliza rayos láser considerados como de clase débil. No existe el peligro de que este aparato emita al exterior una radiación peligrosa.

A marca dos produtos usando laser  
(exceto para algumas áreas)

**CLASS 1  
LASER PRODUCT**

A etiqueta é presa no chassis/estojo e indica que o componente utiliza raios laser, classificados como sendo de Classe 1. Isto significa que o aparelho está usando raios laser que são de uma classe mais fraca. Não há perigo de radiação malefica fora do aparelho.

### CAUTION

Use of controls or adjustments or performance of procedures other than those specified herein may result in hazardous radiation exposure. In compliance with Federal Regulations, following are reproductions of labels on, or inside the product relating to laser product safety.

KENWOOD CORPORATION  
2967-3, SHIKAWA-CHO,  
HACHIOJI SHI  
TOKYO, JAPAN

KENWOOD CORP. CERTIFIES THIS EQUIPMENT  
CONFORMS TO DHHS REGULATIONS NO 21 CFR  
1040.10, CHAPTER I, SUBCHAPTER J

Location : Rear Panel

### FCC WARNING

This equipment may generate or use radio frequency energy. Changes or modifications to this equipment may cause harmful interference unless the modifications are expressly approved in the instruction manual. The user could lose the authority to operate this equipment if an unauthorized change or modification is made.

### NOTE

This equipment has been tested and found to comply with the limits for a Class B digital device, pursuant to Part 15 of the FCC Rules. These limits are designed to provide reasonable protection against harmful interference in a residential installation. This equipment may cause harmful interference to radio communications, if it is not installed and used in accordance with the instructions. However, there is no guarantee that interference will not occur in a particular installation. If this equipment does cause harmful interference to radio or television reception, which can be determined by turning the equipment off and on, the user is encouraged to try to correct the interference by one or more of the following measures:

- Reorient or relocate the receiving antenna.
- Increase the separation between the equipment and receiver.
- Connect the equipment into an outlet on a circuit different from that to which the receiver is connected.
- Consult the dealer or an experienced radio/TV technician for help.

### NOTE

This Class B digital apparatus complies with Canadian ICES-003.

### REMARQUE

Cet appareil numérique de la classe B est conforme à la norme NMB 003 du Canada.

## Handling compact discs / Manipulation des disques compacts / Manipulación de discos compactos / Manuseando CDs

Stains, scratches, or warping can cause skipping, malfunction, or low sound quality. Take the following precautions to avoid damage to the compact discs.

- Avoid touching the recorded side (the side without the titles on) when you hold a compact disc.
- Do not stick paper tape, etc. on either stick of the disc.
- Do not store discs where they will be exposed to direct sunlight (such as on the seat and dashboard) or high heat.
- If you do not use your unit for an extended time, remove the discs from the unit and put them in their cases. Do not leave them lying around without cases, piled up, or leaning on a wall and so on.
- If you attach an adapter to an 8 cm (3") compact disc and load it into this unit, the adapter may be detached from the disc, causing damage to the unit. Do not use 8 cm (3") compact discs.

Les taches, les rayures et le gondolement risquent de provoquer des sauts du son, un mauvais fonctionnement ou une détérioration de la qualité du son. Pour éviter d'endommager les disques compacts, observer les précautions suivantes.

- Eviter de toucher la face enregistrée du disque (celle qui ne porte pas le titre) quand on tient un disque.
- Ne pas coller d'étiquette ou autre sur aucune des faces des disques.
- Ne pas ranger les disques de façon qu'ils soient exposés en plein soleil (par exemple sur un siège ou sur le tableau de bord) ou à des chaleurs extrêmes.
- Si l'on ne se sert pas de l'appareil pendant longtemps, en sortir les disques et les ranger dans leur étui. Ne pas les laisser trainer sans leur étui, ne pas les empiler les uns sur les autres ni les appuyer contre un mur, etc.
- Si l'on fixe un adaptateur sur un disque compact de 8 cm et qu'on l'insère dans l'appareil, l'adaptateur risque de se détacher du disque et d'endommager l'appareil. Ne pas utiliser de disques compacts de 8 cm.

La suciedad, rayaduras o deformación pueden ocasionar saltos de pista, fallos de funcionamiento o baja calidad de sonido. Para evitar dañar los compact discs tome las precauciones siguientes.

- Cuando sostenga un disco compacto, evite tocar el lado grabado (el lado sin el título).
- No adhiera etiquetas, etc. sobre ningún lado del disco.
- No guarde los discos en lugares expuestos a los rayos solares directos (tales como asiento y tablero de automóvil) ni a altas temperaturas.
- Si no va a utilizar la unidad durante mucho tiempo, retire los discos de la unidad y colóquelos en sus cajas. No los guarde sin sus cajas, apilados, o sobre cualquier sitio o cosas similares.
- Si fija un adaptador a un disco compacto de 8 cm (3") y coloca un disco en la unidad, el adaptador puede separarse del disco, ocasionando daños a la unidad. No utilice discos compactos de 8 cm (3").

Manchas, arranhões ou empenamentos podem causar pulos, mau funcionamento, baixa qualidade de som. Tome as seguintes precauções para evitar danos aos CDs.

- Evite tocar com os dedos o lado gravado (o lado onde não há títulos escritos) quando estiver segurando um CD.
- Não cole fitas adesivas, etc. em nenhum dos lados do CD.
- Não guarde os discos em lugar onde eles fiquem expostos à luz direta do sol (por exemplo nos assentos e em cima do painel de instrumentos do carro) ou sujeitos a temperaturas elevadas.
- Se você não for usar o aparelho por longo tempo, retire os discos do aparelho e coloque os em seus estojos. Não os deixe fora dos estojos, empilhados ou encostados numa parede, etc.
- Se você colocar um adaptador num CD de 8 cm (3 polegadas) e colocá-lo no aparelho, o adaptador pode se soltar do disco, causando danos ao aparelho. Não use nunca CDs de 8 cm.

## Safety precautions

### ⚠WARNING

**Take the following precautions to prevent fire and avoid personal injury :**

- Check that no metal objects (coins, tools, etc.) are left inside the unit to avoid short circuits.
- If you smell or see smoke, turn the power off immediately and consult your Kenwood dealer.

### ⚠CAUTION

**Take the following precautions to keep the unit in proper working order.**

- Do not open the top or bottom cover.
- Do not install the unit in places it is exposed to direct sunlight, high heat or humidity, water may splash over it, or dust exists.
- Do not install the unit at a dusty place. If the unit is installed at a dusty place, dust accumulates inside the unit and unit may be damaged.
- When drilling a hole in the car to fix the brackets, make sure not to damage the fuel tank, brake tube, wiring harnesses, etc. on the other side.
- If the unit is installed near speakers, the speakers vibration may causes a sound skip. Install the unit as far away as possible from the speakers.

### NOTE

- If you have difficulty in installing this unit in your vehicle, contact your Kenwood dealer
- If it doesn't seem to be working properly, first press the Reset button. If the malfunction persists, consult your Kenwood dealer

### IMPORTANT INFORMATION

- This unit is NOT designed to be connected directly to control units that are manufactured and sold before 1994. If used with such units, an optional CA-SD200 (sold separately) must be used.

### FAILURE TO FOLLOW THESE INSTRUCTIONS MAY RESULT IN DAMAGE TO THIS UNIT AND CONTROL UNIT.

<KDC-C712/C622>

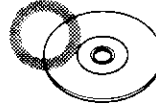
- The disc name preset function can register names of up to 100 discs using up to 12 characters for each disc name. The availability of this function as well as the number of discs which can be registered using this function and the number of usable characters may be variable depending on the control unit in use


<KDC-C462>

- The disc name preset feature can store the names of up to 50 discs in memory. This feature may sometimes be unable to be controlled from the control unit.

### Do Not Use Special Shape CDs

- Be sure to use round shape CDs only for this unit and do not use any special shape CDs. Use of special shape CDs may cause the unit to malfunction.



- Be sure to use CDs with disc mark  only for this unit.

### Do Not Use CDs with Sticker on the Labeled Side

- Do not use the CD with the label sticker stuck on it. Using such a CD may cause the CD to be deformed and the sticker to peel off, resulting in malfunction of the unit.

### Cleaning the unit

- If the front panel is dirty, wipe it clean with a silicon cloth or soft dry cloth with the power off.

### ⚠CAUTION

Do not use hard cloths or paint thinner, alcohol, or other volatile solvents. These may damage external surfaces or remove indicator characters.

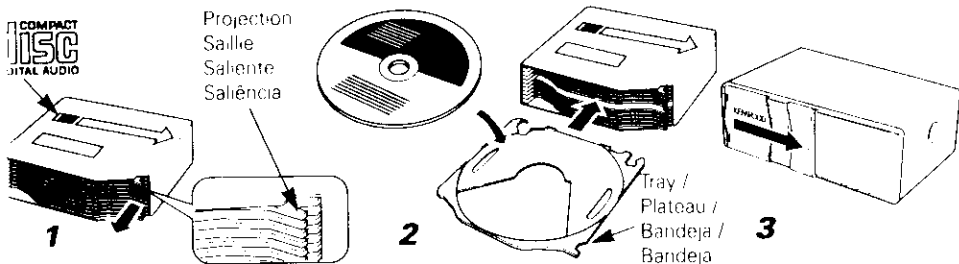
### Lens fogging

- In cold climates, there may be a period after you turn on your vehicle's heater when the lens that guides the laser beam used in your CD player fogs up. If this happens, you cannot play compact discs. Take out discs and the fogging will disappear. If it does not return to normal after several hours, contact your Kenwood dealer.

### Heat protection

- In warm climates, when vehicles are left standing in direct sunlight with the windows closed, the temperature inside can rise above 60°C. The unit's protection circuits will then display the message "HOLD" and prevent the player from operating. Just open the windows or turn on the air conditioning. As soon as the "HOLD" message disappears, the player will operate normally.

# loading compact discs / Chargement des disques / Introducción de discos compactos / Colocando CDs no aparelho



1. Make sure the disc magazine is the right way up with the "disc" logo on the top. Pull the tray out by the projection.
2. Place the disc on the tray with the label facing upwards. Insert the tray into the disc magazine until it locks. Check that the discs and trays are inserted properly. The discs are numbered from the bottom from 1 to 6 or 10.

### CAUTION

- Take care to insert trays into the correct grooves in the disc magazine and to insert discs properly into the tray grooves. Otherwise malfunction may occur or the disc may be damaged.
- Insert all trays even when some of them do not carry discs. Otherwise malfunction or operation failure may occur.
- 8-cm discs cannot be used. If an 8-cm disc adapter is used, the disc cannot be ejected.

3. Open the CD changer door.
4. Insert the magazine into the CD changer until it clicks.
5. Close the CD changer door.

### NOTE

Use the CD changer with its door closed to prevent the entry of dust into the changer.

6. **Magazine ejection**  
Open the CD changer door, and press the "EJECT" button.

### NOTE

Be sure to open the door completely before pressing the EJECT button. If the door is not completely open, the magazine may hit the door and cause damage or malfunction.

1. Assurez-vous que le magazine de disque est correctement inséré avec le logo "disc" dirigé vers le haut. Tirez le plateau vers l'extérieur par la saillie.
2. Placez le disque sur le plateau avec la face imprimée dirigée vers le haut. Insérez le plateau dans le magasin de disque jusqu'à ce qu'il soit verrouillé. Assurez-vous que les disques et les plateaux sont correctement en place. Les disques sont numérotés à partir du bas, de 1 à 6 ou 10.

### ATTENTION

- Veillez à ce que les plateaux soient bien engagés dans les glissières du chargeur et à ce que les disques soient bien placés dans l'alvéole des plateaux. Dans le cas contraire, une anomalie de fonctionnement peut survenir, ou encore les disques peuvent être endommagés.
- Mettez en place tous les plateaux même si certains ne contiennent pas de disque. Dans le cas contraire, une anomalie de fonctionnement peut survenir.
- L'appareil n'accepte pas les disques de 8cm. Si on utilise un adaptateur pour disque de 8cm, l'éjection du disque devient impossible.

3. Ouvrir le volet du changeur de CD.
4. Introduire le chargeur dans le changeur de CD jusqu'à encliquètement.
5. Refermer le volet du changeur de CD.

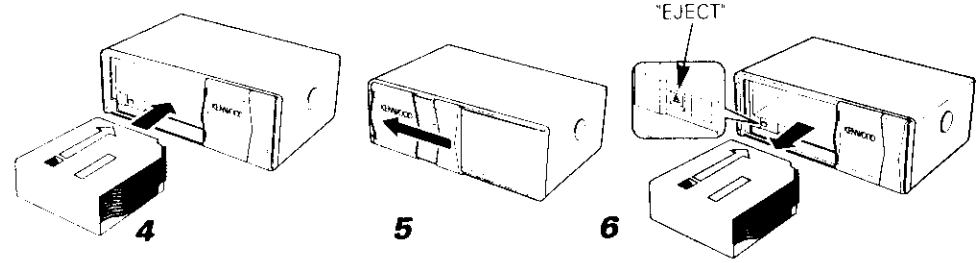
### REMARQUE

Le changeur de CD doit s'utiliser avec le volet fermé pour éviter que la poussière ne pénètre à l'intérieur de l'appareil.

6. **Ejection du chargeur**  
Ouvrir le volet du changeur de CD et appuyer sur le bouton "EJECT".

### REMARQUE

Vérifier que le volet est ouvert en grand avant d'appuyer sur le bouton EJECT. Si le volet n'est pas complètement ouvert, le chargeur risque de buter contre, ce qui pourrait entraîner un mauvais fonctionnement.



1. Asegúrese de que el cartucho de discos esté debidamente orientado hacia arriba, con el logotipo "disc" hacia arriba. Extraiga la bandeja por medio del saliente.
2. Coloque el disco en la bandeja con la etiqueta dirigida hacia arriba. Inserte la bandeja en el cartucho de discos hasta que encaje. Compruebe que los discos y las bandejas estén insertados correctamente. Los discos se enumeran desde abajo del 1 al 6 ó al 10.

### PRECAUCIÓN

- Tenga cuidado de insertar las bandejas en las ranuras correctas del cartucho de discos, e inserte correctamente los discos en las ranuras de las bandejas. En caso contrario podría producirse una avería o el disco podría estropearse.
- Inserte todas las bandejas aunque algunas de ellas no tengan discos. De lo contrario podría producirse una avería o un fallo en el funcionamiento.
- No pueden utilizarse discos de 8 cm. Si se emplea un disco de 8 cm, el disco no podrá expulsarse.

3. Abra la puerta del cambiador de discos compactos.
4. Introduzca el cargador en el cambiador de discos compactos hasta que haga un ruido seco.
5. Cierre la puerta del cambiador de discos compactos.

### NOTA

Utilice el cambiador de discos compactos con su puerta cerrada para evitar que entre polvo al cambiador.

6. **Expulsión del cargador**  
Abra la puerta del cambiador de discos compactos y presione el botón "EJECT".

### NOTA

Asegúrese de abrir la puerta completamente antes de pulsar el botón EJECT. Si la puerta no está completamente abierta, el cargador podrá golpearla y podrá producirse una avería o un mal funcionamiento.

1. Certifique-se de que o carregador de discos está colocado corretamente com o logotipo da "disc" em cima. Puxe a bandeja para fora pela saliência.
2. Coloque o disco na bandeja com a etiqueta virada para cima. Introduza a bandeja no carregador de discos até travá-la. Verificar para ver se os discos e bandejas estão inseridos corretamente. Os discos são numerados a começar de baixo de 1 a 6 ou a 10.

### ACUIDADO

- Tomar cuidado para inserir as bandejas nas ranhuras corretas no magazine de disco e para inserir os discos adequadamente nas ranhuras das bandejas. Caso contrário, um mau funcionamento pode ocorrer ou o disco pode ser danado.
- Inserir todas as bandejas mesmo quando algumas delas não estejam carregadas com disco. Caso contrário pode ocorrer um mau funcionamento ou falha.
- Não podem ser usados discos de 8 cm. Se um adaptador de discos de 8 cm for usado, o disco não vai poder ser ejetado do aparelho.

3. Abra a porta do CD changer.
4. Coloque o carregador no aparelho de CD changer até que ele faça um clique.
5. Feche a porta do CD changer.

### NOTA

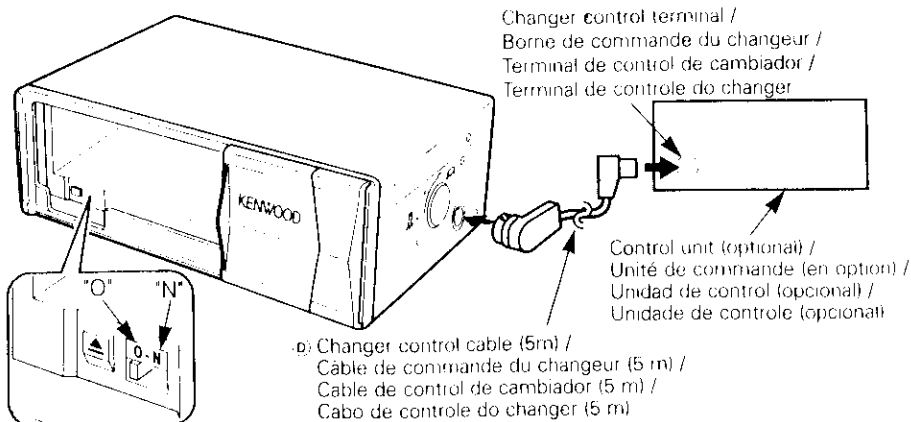
Mantenha a porta do CD changer fechada para evitar a entrada de poeira no aparelho.

6. **Ejeção do carregador**  
Abra a porta do CD changer e aperte o botão "EJECT".

### NOTA

Certifique-se de que abriu completamente a porta antes de apertar o botão EJECT. Se a porta não estiver completamente aberta, o carregador pode bater na porta e causar danos ou mau funcionamento ao aparelho.

# Connections / Raccordements / Conexiones / Ligações



## CAUTION

- Do not connect the changer control cable while the control unit is turned ON.
- Be sure to press the reset button after installation.
- Do not install an antenna of radio equipment or distribute the antenna cable near the changer output cable, for this could cause malfunction with this unit.

## Setting the O-N switch

Set the O-N switch (lying to the right of the EJECT key) depending on the unit connected, as follows

Control unit	CD text-capable		Not CD text-capable		---
	None	KCA-S210A	None	KCA S210A	
Changer switching unit	None	KCA-S210A	None	KCA S210A	KCA S200
O-N switch setting	N	N	O	O	O

- Consult the instruction manual for your control unit to check whether or not it is CD text capable. That information can be found on the page for External Disc Control in the section concerning switching to "N".
- In the "N"-operation mode, the disc titles and track titles provided by the CD text function can be displayed (only KDC-C712/C662)

## ATTENTION

- Ne branchez pas le câble de commande du changeur aussi longtemps que l'unité de commande est en service.
- Après l'installation de l'appareil, n'oubliez pas d'appuyer sur le bouton de réinitialisation.
- Sous peine de provoquer une défaillance, ne pas installer l'antenne d'un équipement radio ou faire passer le câble d'antenne près du câble de sortie du changeur.

## Réglage du commutateur O-N

Régler le commutateur O-N (situé à droite de la touche EJECT) selon l'appareil connecté, comme suit

Unité de commande	Fonction texte CD		Pas de fonction texte CD		---
	Aucun	KCA S210A	Aucun	KCA S210A	
Commutation de changeur	Aucun	KCA S210A	Aucun	KCA S210A	KCA S200
Commutateur O-N	N	N	O	O	O

- Consulter le mode d'emploi de l'unité de commande pour déterminer si celle-ci possède la fonction texte CD. Cette information peut être consultée à la page concernant le disque externe dans la partie concernant la commutation sur "N".
- Avec le mode de fonctionnement "N", le titre du disque et le titre de chaque plage musicale (s'ils sont disponibles grâce à la fonction de texte du CD peuvent être affichés (KDC-C712/C662 uniquement)

## PRECAUCIÓN

- No conecte el cable de control del cambiador mientras está encendida la unidad de control.
- Asegúrese de pulsar el botón de reposición una vez realizada la instalación.
- No instale una antena de un equipo de radio ni los cables de la antena cerca del cable de salida del cambiador porque esto podría ser la causa de que este aparato funcione mal.

## Ajuste del interruptor O-N

Ajuste este interruptor O-N (que se encuentra a la derecha de la tecla EJECT) dependiendo de la unidad que se encuentre conectada, de la siguiente manera:

Unidad de control	Soporte de texto CD		Sin soporte de texto CD		---
	Ningún	KCA S210A	Ningun	KCA-S210A	
Commutación del cambiador	Ningún	KCA S210A	Ningun	KCA-S210A	KCA S200
Interruptor O-N	N	N	O	O	O

- Consulte su manual de instrucciones de la unidad de control para verificar si posee soporte de texto CD o no. Esta información puede ser encontrada en la página de "Control del disco externo" dentro de la sección "concerniente a la conmutación a "N".
- En el modo de operación "N", los títulos de los discos y los títulos de las pistas proporcionados por la función de texto de CD pueden ser visualizados. (sólo KDC-C712/C662)

## ACUIDADO

- Não conectar o cabo de controle do trocador de discos enquanto a unidade de controle estiver ligada.
- Depois da instalação, não deixar de premer o botão de rearme.
- Não instale a antena do equipamento de rádio ou deixe o cabo da antena ficar perto do cabo de saída do changer, pois isso pode provocar problemas de mau funcionamento neste aparelho.

## Regular o interruptor O-N

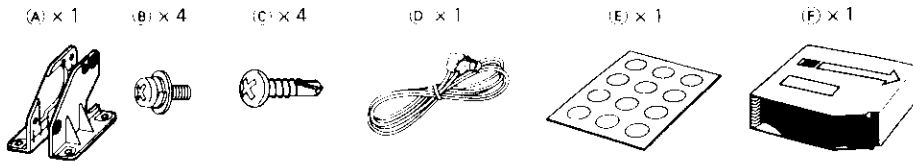
Régule o interruptor O-N (situado à direita do botão EJECT) dependendo da unidade ligada, como se segue

Unidade de controle	Admite texto de CD		Não admite texto de CD		---
	Nenhuma	KCA-S210A	Nenhuma	KCA S210A	
Comutação de carregador	Nenhuma	KCA-S210A	Nenhuma	KCA S210A	KCA S200
Interruptor O-N	N	N	O	O	O

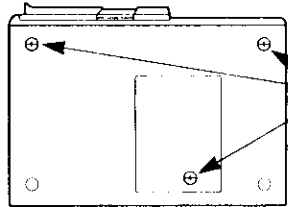
- Consulte o manual de instruções da sua unidade de controle para verificar se ela admite ou não texto de CD. Esta informação encontra-se na página de Controle de Disco Externo na seção referente à comutação para "N".
- No modo de operação "N", os títulos de discos e trilhas fornecidas pela função de texto do CD podem ser visualizadas. (só no KDC C712/C662)

# Installation / Installation / Instalación / Instalação

## ■ Accessories / Accessoires / Accesorios / Acessórios



## ■ Installation Procedure / Procédure d'installation / Procedimiento de instalación / Procedimentos para Instalação



Transportation screws /  
Vis de transport /  
Tornillos de transporte /  
Parafusos de transporte

- 1 Removing the transportation screws**  
Remove all 3 transportation screws for protecting the internal mechanism before you start to install the unit.

### NOTE

After removing the transport screw, retain it carefully and attach it again before transporting the unit again.

**2 Angle adjustment switches**

- The angle adjustment switches on the both side of the unit are to be set according to the angle of installation of the CD auto changer. Set both of the two switches to the same position. If the switches are not set properly, sound skip or other malfunction may occur.
- Set the angle adjustment switches with a coin or other flat object.
- Change the switch step by step by detaching and reusing the object at the end of each step

- 3 Cover the holes indicated by ► with the dustproof seals (E). (Bottom and sides) Use the holes marked ● to install the unit.**

### CAUTION

Do not tighten the screw (B) too securely at the time of installation, but tighten it securely after having fixed the bracket (A).

- 1 Comment enlever les vis de transport**  
Retirez les 3 vis de transport pour la protection du mécanisme interne avant de commencer l'installation.

### REMARQUE

Après avoir retiré la vis de transport, rangez-la avec soin et n'omettez pas de la poser à nouveau avant de transporter l'appareil.

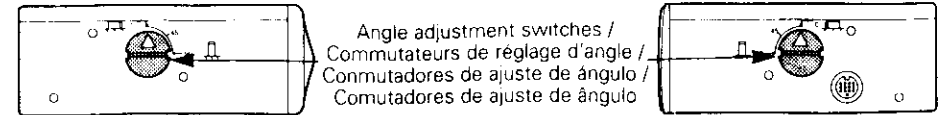
**2 Commutateur de réglage d'angle**

- Les commutateurs de réglage d'angle qui se trouvent de chaque côté de l'appareil doivent être placés dans la position correspondant à l'angle d'installation du changeur de CD. Les deux commutateurs doivent être dans la même position. Si ces commutateurs ne sont pas convenablement réglés, il peut y avoir des ratées de son ou d'autres problèmes de fonctionnement.
- Réglez les commutateurs d'angle d'ajustement avec une pièce de monnaie ou un autre objet plat.
- Changez le commutateur pas à pas en détachant et en utilisant à nouveau l'objet à la fin de chaque opération.

- 3 Couvrez les trous indiqués par ► avec les joints anti-poussière (E). (Partie inférieure et côtés) Utilisez les trous marqués ● pour installer l'appareil.**

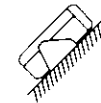
### ATTENTION

Lors de l'installation, ne serrez complètement la vis (B) qu'après avoir monté le support (A).



Angle adjustment switches /  
Commutateurs de réglage d'angle /  
Commutadores de ajuste de ángulo /  
Comutadores de ajuste de ângulo

Installation angle / Angle d'installation / Angulo de instalación / Ângulo de instalação	0°~5°	40°~50°	85°~90°
Angle adjustment switch position / Position des commutateurs de réglage d'angle / Posición de los commutadores de ajuste de ángulo / Posição do comutador de ajuste de ângulo			



It is not possible to install at an angle of 40°~50° if only (A) is used. /  
L'installation à une inclinaison de 40°~50° est impossible en utilisant (A). /  
No es posible realizar una instalación con un ángulo de 40°~50° si sólo se utiliza (A). /  
Não é possível instalar num ângulo de 40° ~ 50° se for usado apenas (A).

- 1 Cómo remover los tornillos de transporte**  
Antes de comenzar a instalar la unidad, saque los 3 tornillos de transporte empleados para proteger el mecanismo interno.

### NOTA

Después de quitar el tornillo de transporte, guárdelo cuidadosamente y vuelva a utilizarlo antes de transportar de nuevo la unidad.

**2 Comutadores de ajuste de ángulo**

- Los comutadores de ajuste de ángulo ubicados en ambos lados del aparato deberán ajustarse según el ángulo de instalación del cambiador de discos compactos automático. Ponga ambos comutadores en la misma posición. Si los comutadores están mal ajustados, el sonido saltará o podrá producirse un mal funcionamiento.
- Efectúe el reglaje de los interruptores de ajuste de ángulo con una moneda u otro objeto plano.
- Cambiar el interruptor gradualmente quitando y usando de nuevo el objeto al final de cada paso.

- 3 Tape los agujeros indicados por la ► con sellos guardapolvos (E). (Fondo y costados) Utilice los agujeros marcados ● para instalar la unidad.**

### PRECAUCIÓN

No apriete firmemente el tornillo (B) en el momento de realizar la instalación; apriételo firmemente después de haber fijado el soporte (A).

- 1 Retirando os parafusos de transporte**  
Retire todos os três parafusos de transporte de proteção do mecanismo interno antes de iniciar a instalação do aparelho.

### NOTA

Depois de retirar o parafuso de transporte, guarde-o com cuidado e coloque-o de novo antes de transportar a unidade.

**2 Comutadores de ajuste de ângulo**

- Os interruptores de ajuste de ângulo em ambos os lados da unidade devem ser ajustados de acordo com o ângulo de instalação do cambiador de CD automático. Ajuste ambos interruptores para a mesma posição. Se os interruptores não forem ajustados adequadamente, pode ocorrer salto do som ou outras falhas.
- Acerte os interruptores de ajuste de ângulo com uma moeda ou outro objeto chato.
- Mude o interruptor passo a passo, desprendendo e utilizando novamente o objeto ao fim de cada passo.

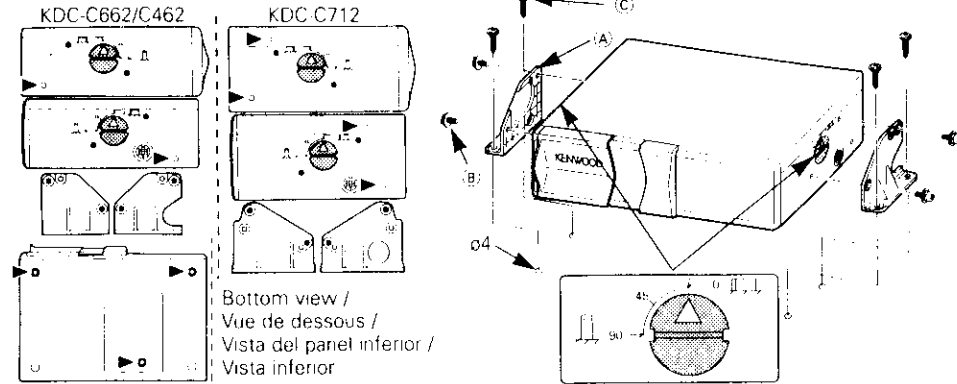
- 3 Cubra os furos indicados por ► com os selos à prova de poeira (E). (Embaixo e nos lados) Use os furos marcados ● para instalar o aparelho.**

### CAUIDADO

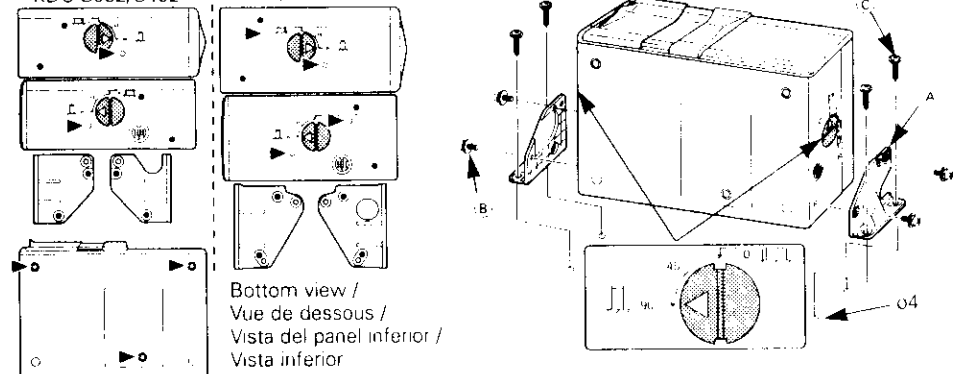
Não apertar o parafuso (B) demasiadamente ao instalá-lo, mas apertá-lo firmemente depois de fixado o suporte (A).

# Troubleshooting Guide / Guide de dépannage / Guia Sobre Localización De Averías / Guia de Diagnóstico

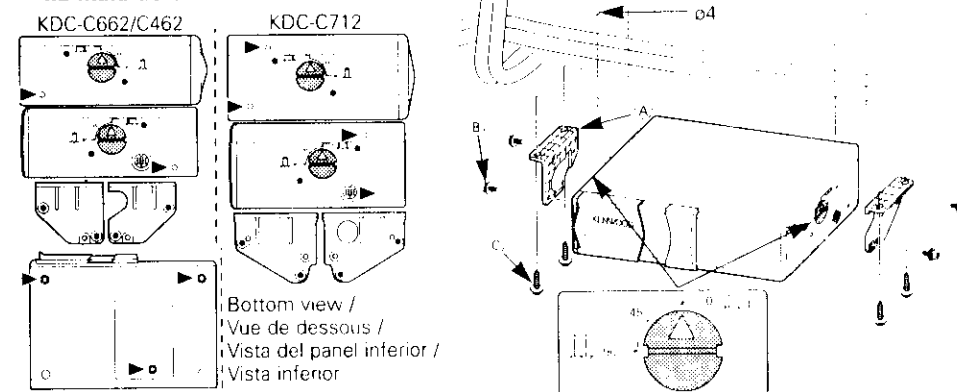
## Horizontal installation / Installation horizontale / Instalação horizontal / Instalação horizontal



## Vertical installation / Installation verticale / Instalação vertical / Instalação vertical



## In case of hanging in the trunk / Lorsqu'on suspend le changeur à l'intérieur du coffre / En el caso de instalarla en el portaequipajes / Em caso de ficar pendurado na mala do carro



PROBLEM	POSSIBLE CAUSE	SOLUTION
Sound skips due to vibration.	<ul style="list-style-type: none"> <li>The unit is mounted at a slant.</li> <li>Changer unit is mounted in an unstable place.</li> <li>The angle adjustment switches are set improperly.</li> </ul>	<ul style="list-style-type: none"> <li>Mount the unit so that it level.</li> <li>Mount the unit in a stable place</li> <li>Set the angle adjustment switches to the correct positions.</li> </ul>
The disc changer mode cannot be selected.	The O-N selection switch of the disc changer is not set properly	Set the O-N selection switch to 'O' position.

When removing the CD changer, be sure to first eject a magazine then unplug the changer cord. Do not forget to attach the transport screws before transporting the CD changer. The CD changer may be damaged during transport if a magazine or CD is left inside it or the transport screws are not attached.

PROBLEME	CAUSE POSSIBLE	SOLUTION
Le son saute à cause de vibrations.	<ul style="list-style-type: none"> <li>L'appareil est incliné.</li> <li>Le changeur est placé dans un endroit instable</li> <li>Les commutateurs de réglage d'angle ne sont pas dans la bonne position</li> </ul>	<ul style="list-style-type: none"> <li>Monter l'appareil sur une surface parfaitement plate</li> <li>Monter l'appareil dans un endroit stable</li> <li>Mettre les commutateurs de réglage dans la position qui convient</li> </ul>
Le mode de changeur de disques ne peut pas être choisi.	Le sélecteur O-N de l'échangeur de disques n'est pas réglé correctement	Réglez le sélecteur O-N sur la position "O"

Avant de déposer le changeur de CD, veillez à éjecter le chargeur puis à débrancher le câble de liaison du changeur. Cela fait, fixez les vis de transport sur le changeur de CD avant de le déplacer. Le changeur de CD peut être endommagé pendant le transport si le chargeur ou le CD ne sont pas préalablement retirés, ou bien encore si les vis de transport ne sont pas correctement fixées.

PROBLEMA	CAUSA POSSIBLE	SOLUCION
El sonido salta debido a vibraciones.	<ul style="list-style-type: none"> <li>El aparato está montado en un lugar inclinado</li> <li>El cambiador está montado en un lugar inestable</li> <li>Los conmutadores de ajuste de ángulo están mal ajustados</li> </ul>	<ul style="list-style-type: none"> <li>Monte el aparato en un lugar nivelado</li> <li>Monte el aparato en un lugar estable</li> <li>Ponga los conmutadores de ajuste de ángulo en las posiciones correctas</li> </ul>
No se puede seleccionar la modalidad de cambiador de discos.	El selector O-N del cambiador de disco no está correctamente ajustado	Poner el selector O-N en la posición "O"

Quando extraiga el cambiador de CD, asegúrese de expulsar primero el cargador y luego desenchufar el cable del cambiador. No se olvide de poner los tornillos de transporte antes de transportar el cambiador de CD. El cambiador de CD puede estropearse durante el transporte si se deja un cargador o CD en su interior o si no se han colocado los tornillos de transporte.

PROBLEMA	CAUSA PROVÁVEL	SOLUÇÃO
O som pula devido à vibração.	<ul style="list-style-type: none"> <li>O aparelho foi instalado numa inclinação</li> <li>O changer foi instalado num local instável</li> <li>Os conmutadores de ajuste de ângulo foram fixados incorretamente</li> </ul>	<ul style="list-style-type: none"> <li>Instalar o aparelho de maneira a ficar nivelado</li> <li>Instalar o aparelho num local estável</li> <li>Fixar os conmutadores de ajuste de ângulo nas posições corretas</li> </ul>
O modo de disc changer não pode ser selecionado.	O interruptor de seleção O-N do disc changer não está bem ligado	Ligar o interruptor de seleção O-N na posição "O"

Antes de remover o trocador de discos, ejetar sem falta o carregador e, então, desconectar o cabo de alimentação. Não esquecer de fixar os parafusos para transporte antes de deslocar o trocador de discos. O trocador de discos pode ser danificado durante o transporte caso o carregador ou um disco fique dentro ou os parafusos para transporte não sejam fixados.

## **Specifications / Spécifications / Especificaciones / Especificações**

### **Specifications subject to change without notice.**

Laser diode .....	GaAlAs ( $\lambda=780$ nm)	Operating voltage .....	14.4 V (11 ~ 16 V allowable)
Digital Filter .....	8 Time Over Sampling	Current consumption .....	0.8 A at Rated power
D/A Converter .....	1 bit	Dimensions (W x H x D):	
Spindle speed .....	500 ~ 200 rpm (CLV)	(KDC-C712) .....	250 x 80 x 176 mm
Wow & Flutter .....	Below Measurable Limit	(9-13/16 x 3-1/8 x 6-15/16 in.)	
Frequency Response ( $\pm 1$ dB) .....	5 Hz ~ 20 kHz	(KDC-C662/C462) .....	250 x 64 x 176 mm
Total harmonic distortion (1 kHz) .....	0.005 %	(9-13/16 x 2-1/2 x 6-15/16 in.)	
Signal to Noise Ratio .....	94 dB	Weight	
Dynamic range .....	94 dB	(KDC-C712) .....	2.0 kg (4.4 LBS)
Channel separation .....	85 dB	(KDC-C662/C462) .....	1.8 kg (4.0 LBS)

### **Les spécifications sont sujettes à changements sans notification.**

Diodes laser .....	GaAlAs ( $\lambda=780$ nm)	Tension de fonctionnement	14,4 V (11 ~ 16 V admissible)
Filter numérique .....	8 fois Suréchantillonnage	Courant absorbé	0,8 A à la puissance nominale
Convertisseur A/N .....	1 bit	Dimensions (l x h x p)	
Vitesse de l'axe .....	500 ~ 200 rpm (CLV)	(KDC-C712) .....	250 x 80 x 176 mm
Pleurage et scintillement .....	Non mesurables	(9-13/16 x 3-1/8 x 6-15/16 in.)	
Reponse en frequence ( $\pm 1$ dB) .....	5 Hz ~ 20 kHz	(KDC-C662/C462) .....	250 x 64 x 176 mm
Distorsion harmonique totale (1 kHz) .....	0,005 %	(9-13/16 x 2-1/2 x 6-15/16 in.)	
Rapport signal sur bruit .....	94 dB	Poids	
Gamme dynamique .....	94 dB	(KDC-C712) .....	2,0 kg (4,4 LBS)
Separation de canaux .....	85 dB	(KDC-C662/C462) .....	1,8 kg (4,0 LBS)

### **Las especificaciones se encuentran sujetas a cambios sin previo aviso.**

Diode laser .....	GaAlAs ( $\lambda=780$ nm)	Tension de funcionamiento	14,4 V (11 ~ 16 V admisibles)
Filtro digital .....	8 sobremuestras	Consumo .....	0,8 A con potencia nominal
Convertidor D/A .....	1 bit	Dimensiones (An. x Al. x Pr.)	
Velocidad de giro .....	500 ~ 200 rpm (CLV)	(KDC-C712) .....	250 x 80 x 176 mm
Wow y flutter .....	Menos del limite medible	(9-13/16 x 3-1/8 x 6-15/16 in.)	
Respuesta de frecuencia ( $\pm 1$ dB) .....	5 Hz ~ 20 kHz	(KDC-C662/C462) .....	250 x 64 x 176 mm
Distorsión armonica total (1 kHz) .....	0,005%	(9-13/16 x 2-1/2 x 6-15/16 in.)	
Re-acion señal a ruido .....	94 dB	Peso	
Gama dinamica .....	94 dB	(KDC-C712) .....	2,0 kg (4,4 LBS)
Separacion de canales .....	85 dB	(KDC-C662/C462) .....	1,8 kg (4,0 LBS)

### **As especificações podem ser alteradas sem prévia notificação.**

Diode laser .....	GaAlAs ( $\lambda=780$ nm)	Voltagem de operação	14,4 V (11 ~ 16 V tolerável)
Filtro digital .....	8 vezes sobre a amostragem	Consumo de energia	10 A de potência certificada
Conversor D/A .....	1 bit	Dimensões (largura x altura x profundidade)	
Velocidade de fuso .....	500 a 200 rpm	(KDC-C712) .....	250 x 80 x 176 mm
(disco de velocidade linear constante CLV)		(9-13/16 x 3-1/8 x 6-15/16 in.)	
Modulação de baixa frequência e trepidação	abaixo dos limites mensuráveis	(KDC-C662/C462) .....	250 x 64 x 176 mm
Resposta de Frequência ( $\pm 1$ dB) .....	5 Hz ~ 20 kHz	(9-13/16 x 2-1/2 x 6-15/16 in.)	
Distorção harmónica total (1 kHz) .....	0,005 %	Peso	
Proporção entre Sinal e Ruído .....	94 dB	(KDC-C712) .....	2,0 kg (4,4 LBS)
Faixa dinâmica .....	94 dB	(KDC-C662/C462) .....	1,8 kg (4,0 LBS)
Separação entre canais .....	85 dB		